



Multi Zone Specification

AOU36RML1

Multizone Inverter Heat Pump

THE POSSIBILITIES ARE INFINITE

Job Name: _____
 Location: _____
 Engineer: _____
 Submitted to: _____
 Submitted by: _____
 Reference: _____

Approval: _____
 Date: _____
 Construction: _____
 Unit #: _____
 Drawing #: _____

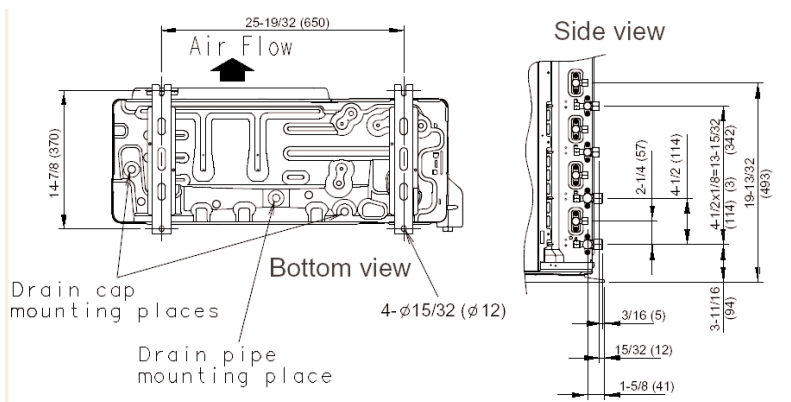
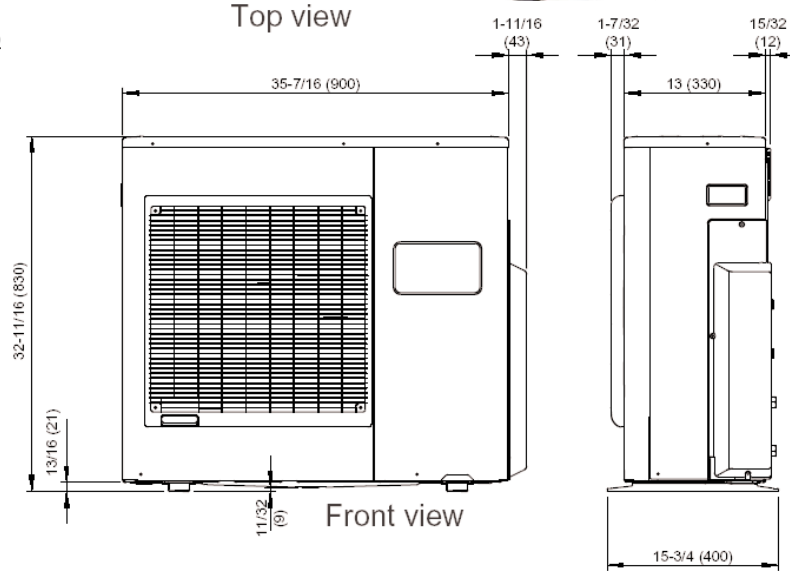
		General Data (at 230V)	
Power	V/P/Hz	230/1/60	
Min. Circuit Ampacity	(A)	25	
Fuse Size, Max.	(A)	30	
Standby Consumption	(W)	26.2	
Standby Cons. below 37.4F*	(W)	49.9	
Compressor		DC Twin Rotary	
No. used		1	
Output	(W)	1300	
Starting Current	(A)	15	
Fan type		Propeller	
No. Motors	(W)	90-1	
CFM Cooling/Heating (High)		2119/2237	
F.L. Amps	(A)	1.5	
Refrigerant		410A	
Lbs (g) - R410A (outdoor unit)		7.07(3,200)	
Control		Electronic Expansion Valve	
O.D. Discharge	(in)	1/4" x 4(Flare)	
O.D. Suction	(in)	3/8" x 3(Flare)	
		1/2" x 1(Flare)	
Dimensions		H x W x D	
Uncrated	(in)	32-7/8 x 35-7/16 x 13	
	(mm)	(835 x 900 x 330)	
Crated	(in)	38-3/16 x 41-11/32 x 17-17/32	
	(mm)	(970 x 1050 x 445)	
Weight		Outdoor	
Net	lbs. (kg)	149 (68)	
Gross Shipping	lbs. (kg)	167 (76)	
Cooling Capacity	(BTU/h)	35,200 (11,000~36,000)	
Rated Power Input	(W)	1,500	
Max. Power Input	(W)	3,400	
Outdoor Sound Rating	(DB)	50	
Heating Capacity	(BTU/h)	36,400 (11,000~42,000)	
Rated Power Input	(W)	1,735	
Max. Power Input	(W)	3,400	
Outdoor Sound Rating	(DB)	51	
Piping Lengths			
Max. Piping Length (Each Unit)	(ft)	82	
Max. Piping Length (Total)	(ft)	230	
Max. Elevation Difference:			
Between Indoor Units	(ft)	49	
Between Indoor And Condenser	(ft)	49	

Operating Range

Cooling	Maximum	Indoor Intake Temp. 95F DB/71F WB	Outdoor Air Intake Temp. 115F DB
	Minimum	67F DB/57F WB	32F DB
Heating	Maximum	Indoor Intake Temp. 80F DB/67F WB	Outdoor Air Intake Temp. 75F DB/65F WB
	Minimum		14F DB

Multi-Zone SEER, HSPF

	Wall	Cassette	Concealed Ceiling	Mixed
Tri/Quad SEER	15	16	14.0	14.5
Tri/Quad HSPF	9.0	9.4	8.6	8.8



*Compressor winding will only pass current through it if the compressor has not operated for more than three hours.

Fujitsu General America, Inc.
 Fairfield, NJ 07004
 Toll Free: 1-888-888-3424
 Fax: (973) 836-0447
 www.fujitsugeneral.com

Fujitsu products are subject to continuous improvements. Fujitsu reserves the right to modify product design, specifications and information in this data sheet without notice and without incurring any obligations.

Note: Specifications are based on the following conditions.

Power source of specifications : 230V

Cooling: Indoor temperature of 80°F(26.67°C)DB / 67°F(19.44°C)WB, and outdoor temperature of 95°F(35°C)DB/75°F(23.89°C)WB.

Heating: Indoor temperature of 70°F(21.11°C)DB / 60°F(15.56°C)WB, and outdoor temperature of 47°F(8.33°C)DB/43°F(6.11°C)WB.

Pipe length : 24ft. 7in.(7.5m), Height difference : 0 ft.(0m) [Outdoor unit - Indoor unit]