

3. For Heat Pump Operation

- a. The emergency heat switch on the front of the control can be set for electric furnace operation or for heat pump operation. Set the system thermostat accordingly.
- b. For heating operation: Keep the furnace switch set at AUTO, the thermostat system switch to HEAT and the fan switch to AUTO.
- c. For cooling operation: Keep the furnace switch at AUTO, set the thermostat system switch to COOL and the fan switch to AUTO.
- d. For continuous air circulation: Set the thermostat system fan switch to ON.
- e. To shut the system off: Set the thermostat system switch to OFF and set it to the lowest temperature setting. Set the furnace system to OFF, and shut off all power to the heat pump.

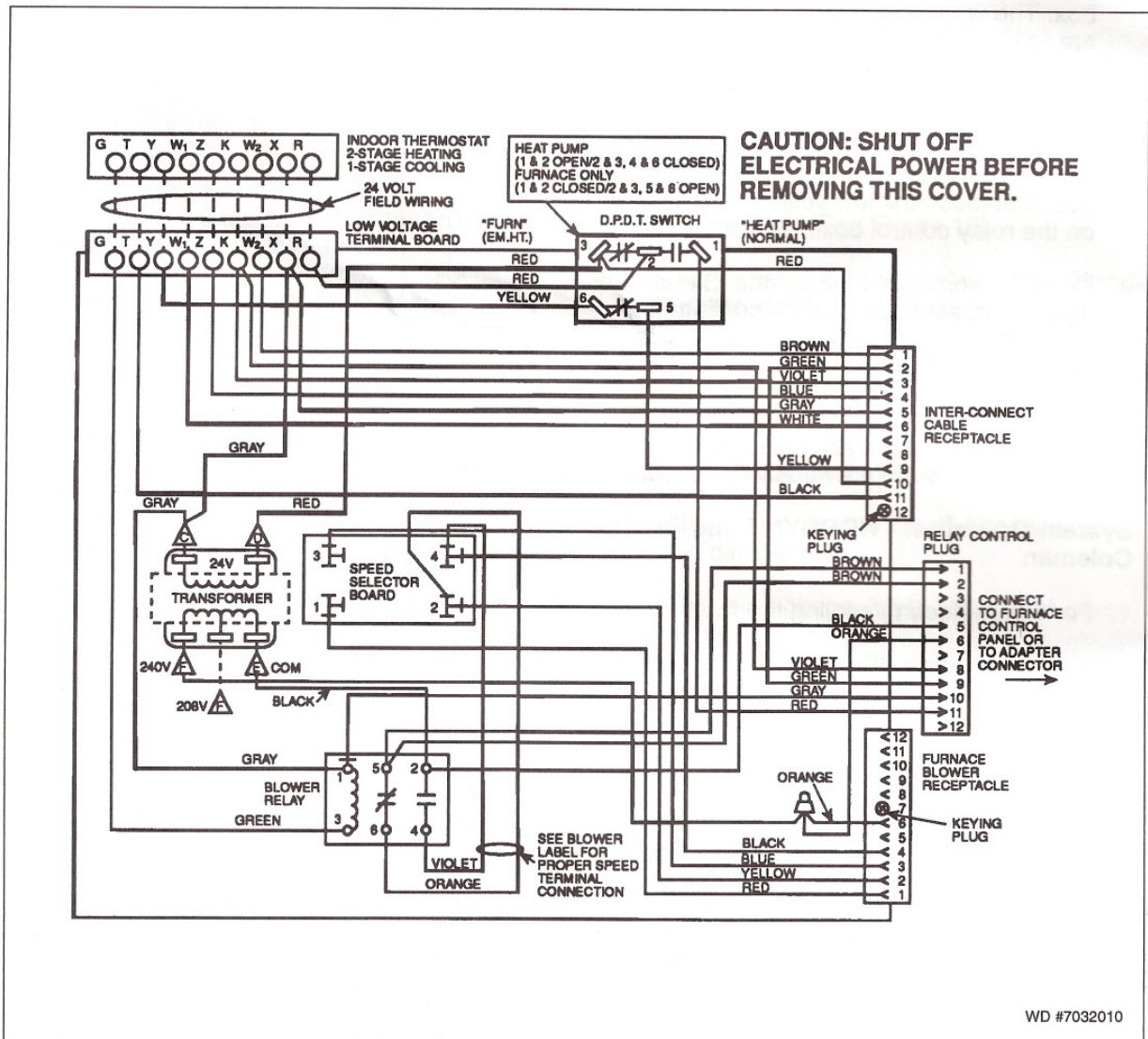


Figure 14. Heat Pump Wiring Diagram

