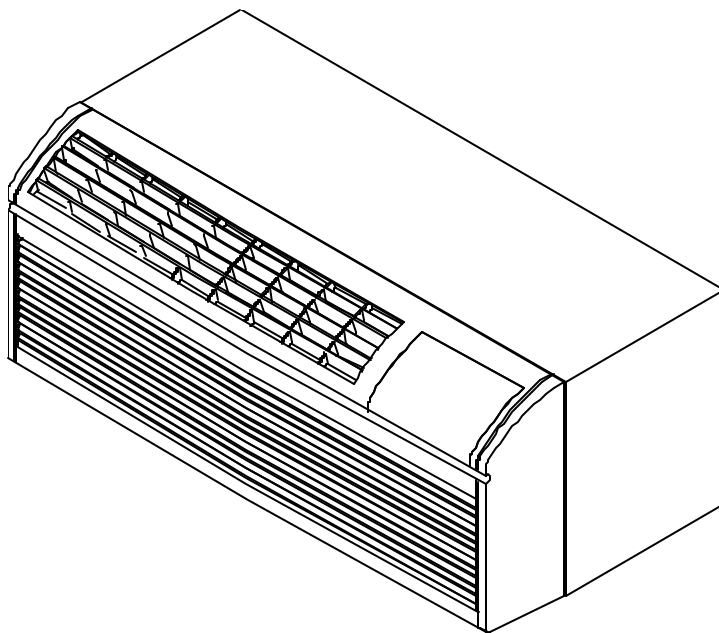


# Parts

## Package Terminal Air Conditioner

This manual replaces RP4210017 revision 0.



Models and manufacturing numbers in this manual

PTC073A00AC	P1233733R
PTC073A15AC	P1233734R
PTC073A25AC	P1233735R
PTC073A35AB	P1225121R
PTC073A35AC	P1233721R
PTC093A00AC	P1233701R
PTC093A15AC	P1233702R
PTC093A25AC	P1233703R
PTC093A35AB	P1225104R
PTC093A35AC	P1233704R
PTC093A50AC	P1233705R
PTC123A00AC	P1233706R
PTC123A15AC	P1233707R
PTC123A25AC	P1233708R
PTC123A35AB	P1225109R
PTC123A35AC	P1233709R
PTC123A50AC	P1233710R
PTC153A00AC	P1233736R
PTC153A00AC	P1233787R
PTC153A15AC	P1233737R
PTC153A15AC	P1233788R
PTC153A25AC	P1233738R
PTC153A25AC	P1233789R
PTC153A35AB	P1225122R
PTC153A35AC	P1233722R
PTC153A35AC	P1233790R
PTC153A50AC	P1233739R
PTC153A50AC	P1233791R

This manual is to be used by qualified appliance technicians only. Amana does not assume any responsibility for property damage or personal injury for improper service procedures performed by an unqualified person.



RP4210017  
Revision 1  
November 2001

## **Important Information**

---

Amana is not responsible for personal injury or property damage resulting from improper service. Review all service information before beginning repairs.

Warranty service must be performed by an authorized technician, using authorized factory parts. If service is required after the warranty expires, Amana also recommends contacting an authorized technician and using authorized factory parts.

For assistance within the U.S.A. contact:

Consumer Affairs Department  
Amana Heating and Air Conditioning  
1810 Wilson Parkway  
Fayetteville, TN 37334  
877-254-4729-Telephone  
931-438-2922-Facsimile

For assistance outside the U.S.A. contact:

International Division  
Amana Heating and Air Conditioning  
1810 Wilson Parkway  
Fayetteville, TN 37334  
931-438-3632-Telephone  
931-438-2922-Facsimile

**Index**

Functional Parts List ..... 4 - 5

Illustration and Parts ..... 6 - 19

*Views shown are for parts illustrations only, not servicing procedures.*

**Text Codes:**

- AR - As Required
- NA - Not Available
- NS - Not Shown
- 00000000 - See Note
- QTY - Quantity Example (QTY 3) (If Quantity not shown, Quantity = 1)
- M - Model Example (M1) (If M Code not shown, then part is used on all Models)

**Expanded Model and Color Nomenclature:**

Example	
M1 - Model#1	P _____
M2 - Model#2	P _____
M3 - Model#3	P _____

# Functional Parts

## Part

## No: Description:

---

D6879821	CAPACITOR (M3, M4, M5)
D6789049	CAPACITOR (M12, M16, M17, M18, M19, M28)
D6789054	CAPACITOR (M1, M2, M3, M4, M5, M11, M13, M14, M15, M25, M27)
D6926120	COMP 2K21S236C-7A (M20, M21, M22, M23, M24)
D6926116	COMP-PN 2K21S3R236A (M12, M16, M17, M18, M19, M28)
D6985807	COMP-PN 2P17S3R236A (M6, M7, M8, M9, M10, M26)
D6887709	COMP-PN 2R10S3R236A (M11, M13, M14, M15, M27)
D6887711	COMP-PN 2R13S3R236A (M1, M2, M3, M4, M5, M25)
20007702	COND ASSY (M11, M13, M14, M15, M27)
20007503	COND ASSY (M1, M2, M3, M4, M5, M6, M7, M8, M9, M10, M12, M16, M17, M18, M19, M20, M21, M22, M23, M24, M25, M26, M28)
11114401	CORD-250V 15A (M1, M2, M3, M6, M7, M8, M13, M14, M15, M16, M17, M18, M20, M21, M22)
11114501	CORD-250V 20A (M4, M9, M11, M12, M23, M25, M26, M27, M28)
11114601	CORD-250V 30A (M5, M10, M19, M24)
11046703	DISC-THERMOSTAT (M3, M4, M5, M25, M27)
11165703	EVAP ASSY (M1, M2, M3, M4, M5, M25)
11165603	EVAP ASSY (M6, M7, M8, M9, M10, M12, M16, M17, M18, M19, M20, M21, M22, M23, M24, M26, M28)
11165803	EVAP ASSY (M27)
11165803	EVAP ASSY (M11, M13, M14, M15)
20284901	FILTER-DRYER (M11, M13, M14, M15)
20284906	FILTER-DRYER (M12, M16, M17, M18, M19)
20284902	FILTER-DRYER (M1, M2, M3, M4, M5)
20284904	FILTER-DRYER (M6, M7, M8, M9, M10)
M0804204	FUSE-GLASS (M3, M4, M5)
11116201	HTR 3 1.5KW ASSY (M2, M7, M14, M17, M21)
20252002	HTR 3 2.5KW ASSY (M3, M8, M15, M18, M22)
20252003	HTR 3 3.5KW ASSY (M4, M9, M11, M12, M23, M25, M26, M27, M28)
11177801	HTR 3 5.0 KW ASSY (M5)
20252005	HTR 3 5.0KW ASSY (M10, M19, M24)
11114907	MOTOR-FAN (M1, M2, M3, M4, M5, M11, M13, M14, M15, M25, M27)
11114909	MOTOR-FAN (M6, M7, M8, M9, M10, M12, M16, M17, M18, M19, M20, M21, M22, M23, M24, M26, M28)
11114902	MOTOR-FAN (M5)
D6961636	OVERLOAD (M11, M13, M14, M15, M27)
D6961612	OVERLOAD (M6, M7, M8, M9, M10, M26)
D6961639	OVERLOAD (M1, M2, M3, M4, M5, M25)
D6961607	OVERLOAD (M12, M16, M17, M18, M19, M28)
D4976682	OVERLOAD (M20, M21, M22, M23, M24)
RF000005	PC BOARD (M1, M2, M3, M4, M5, M6, M7, M8, M9, M10, M11, M12, M13, M14, M15, M16, M17, M18, M19)
RF000001	PC BOARD (M25, M26, M27, M28)
C8873917	RELAY (M5)
B1340114	TSTAT-DISC TYPE (M22)
B1340115	TSTAT-DISC TYPE (M24)
B1340112	TSTAT-DISC TYPE (M21, M22, M23, M25, M26, M27, M28)
B1158418	TSTAT-DISC TYPE (M4, M21, M22, M23, M25, M26, M27, M28)
B1158412	TSTAT-DISC TYPE (M5)
B1158416	TSTAT-DISC TYPE (M5, M24)

# Functional Parts

## Part

No: Description:

---

### SPECIAL PARTS

11115801	INSTR-CHAS INSTAL
11113306	MANUAL-OWNERS (M20, M21, M22, M23, M24)
11113301	MANUAL-OWNERS (M25, M26, M27, M28)
11113303	MANUAL-OWNERS (M1, M2, M3, M4, M5, M6, M7, M8, M9, M10, M11, M12, M13, M14, M15, M16, M17, M18, M19)
RP4210017	PARTS MANUAL
RS4200001	SERVICE MANUAL
11046401	WARRANTY (M20, M21, M22, M23, M24)

### Expanded Model and Color Nomenclature

M1 - PTC093A00AC	P1233701R
M2 - PTC093A15AC	P1233702R
M3 - PTC093A25AC	P1233703R
M4 - PTC093A35AC	P1233704R
M5 - PTC093A50AC	P1233705R
M6 - PTC123A00AC	P1233706R
M7 - PTC123A15AC	P1233707R
M8 - PTC123A25AC	P1233708R
M9 - PTC123A35AC	P1233709R
M10 - PTC123A50AC	P1233710R
M11 - PTC073A35AC	P1233721R
M12 - PTC153A35AC	P1233722R
M13 - PTC073A00AC	P1233733R
M14 - PTC073A15AC	P1233734R
M15 - PTC073A25AC	P1233735R
M16 - PTC153A00AC	P1233736R
M17 - PTC153A15AC	P1233737R
M18 - PTC153A25AC	P1233738R
M19 - PTC153A50AC	P1233739R
M20 - PTC153A00AC	P1233787R
M21 - PTC153A15AC	P1233788R
M22 - PTC153A25AC	P1233789R
M23 - PTC153A35AC	P1233790R
M24 - PTC153A50AC	P1233791R
M25 - PTC093A35AB	P1225104R
M26 - PTC123A35AB	P1225109R
M27 - PTC073A35AB	P1225121R
M28 - PTC153A35AB	P1225122R

# Front/Chassis

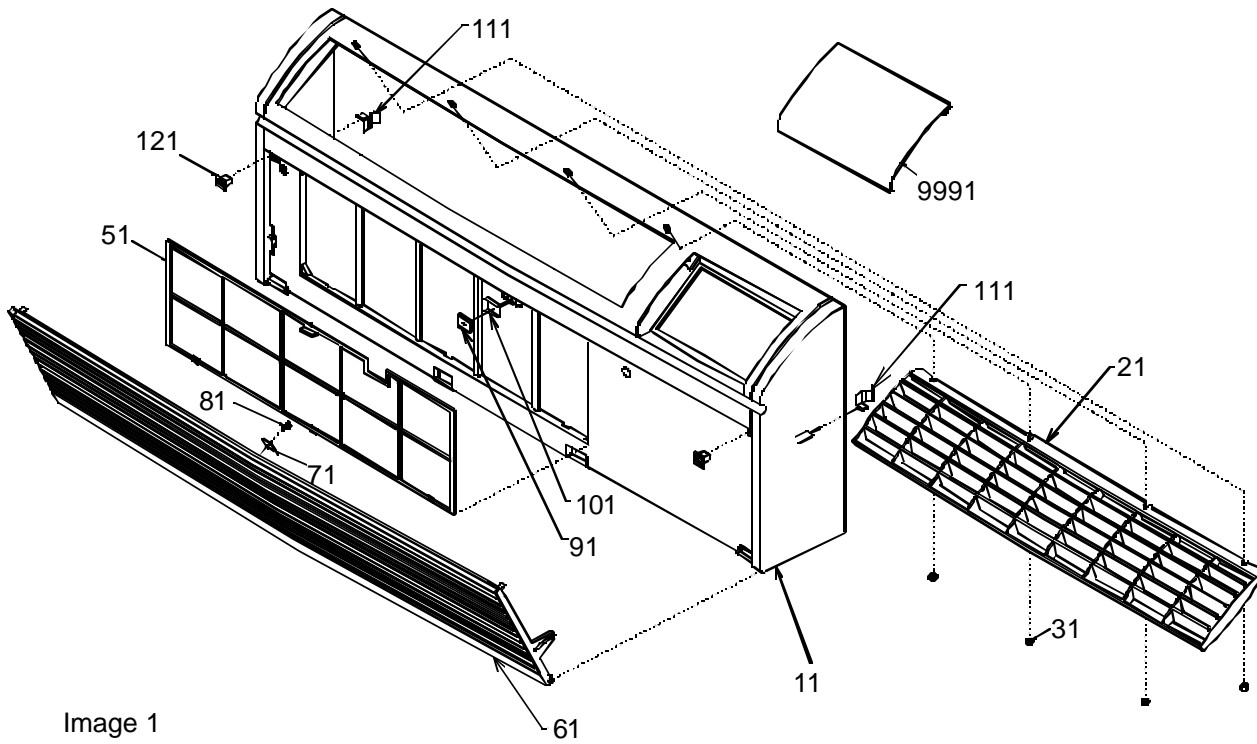
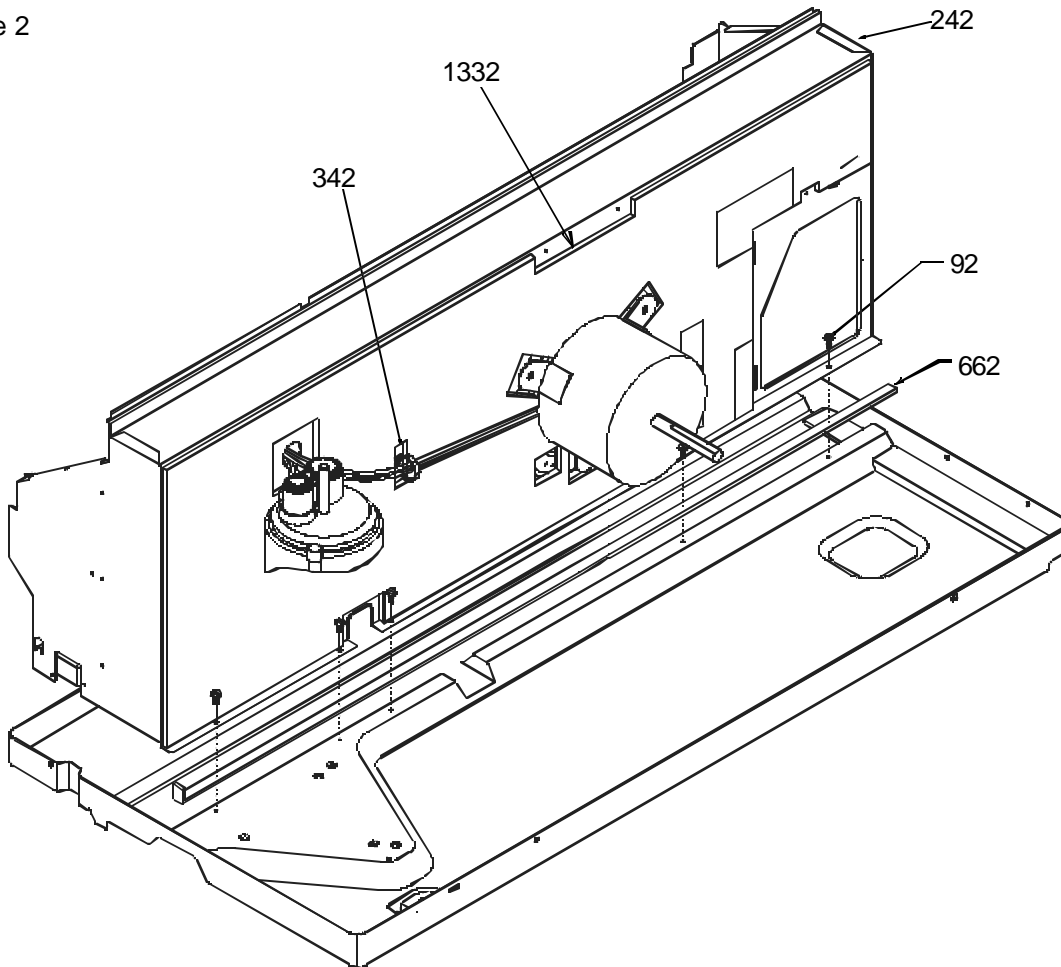


Image 1

Image 2



# Front/Chassis

**Ref. Part**

**No: No: Description:**

*Image 1:*

11	11042701	FRONT
21	11167401	GRILLE-DISCHARGE
31	M0293604	PALNUT (QTY 4)
51	11045201	FILTER
61	11042602	GRILLE-INTAKE
71	11047101	STRIKE
81	M0253217	SCREW-TF
91	11047301	MAGNET
101	11047201	HOLDER-MAGNET
111	11045102	CLIP-SIDE (QTY 2)
121	10690002	DOOR CATCH ASSY (QTY 2)
9991	11143301	DOOR ASSY-AMANA

*Image 2:*

92	M0216716	SCREW-SM (QTY AR)
242	11045508	PARTITION PANEL
342	M0118702	CLIP-GUIDE
662	10839803	GASKET-CROSS LINK (QTY AR)
1332	20208601	INSUL-PARTITION PNL

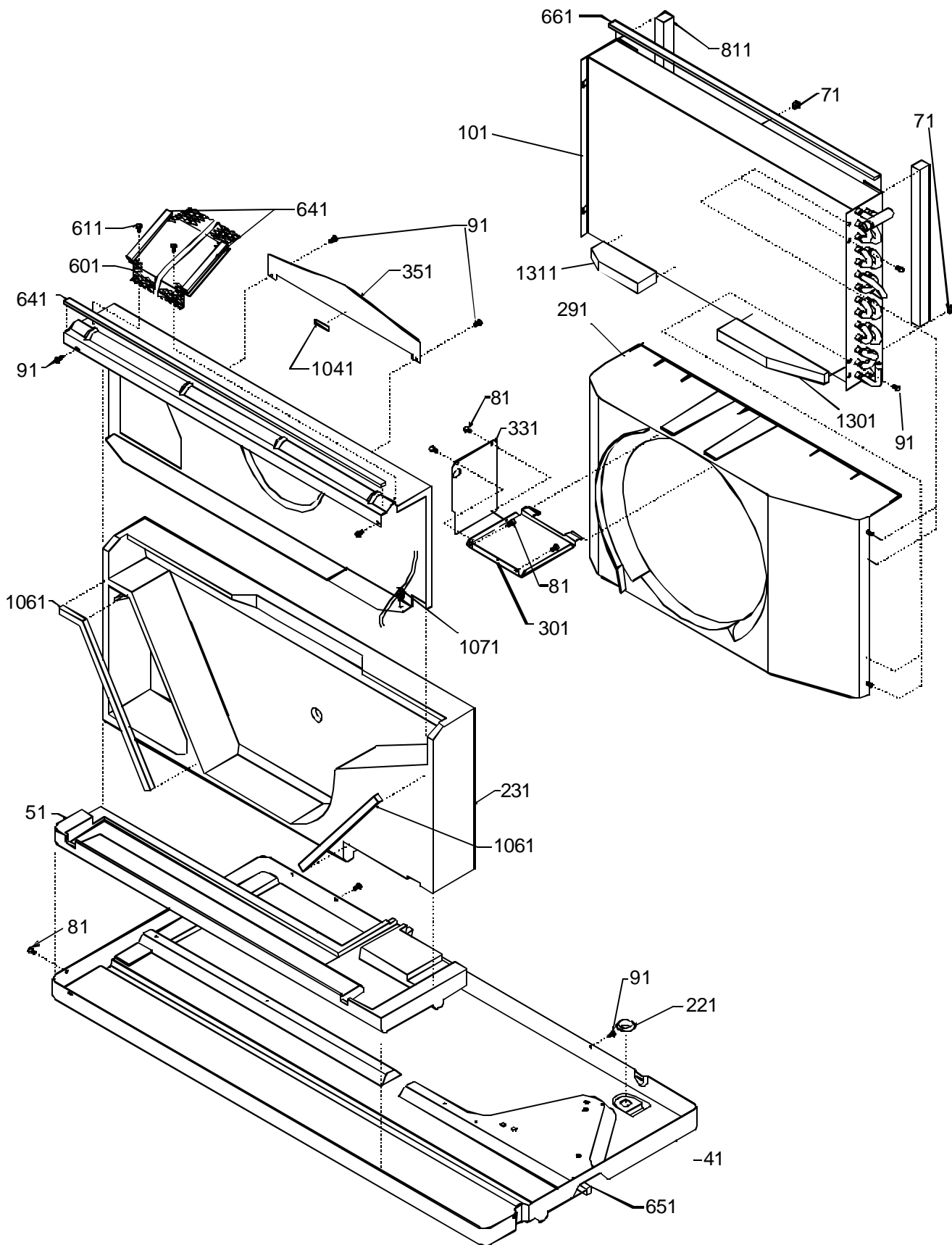
**Ref. Part**

**No: No: Description:**

**Expanded Model and Color Nomenclature**

M1 - PTC093A00AC	P1233701R
M2 - PTC093A15AC	P1233702R
M3 - PTC093A25AC	P1233703R
M4 - PTC093A35AC	P1233704R
M5 - PTC093A50AC	P1233705R
M6 - PTC123A00AC	P1233706R
M7 - PTC123A15AC	P1233707R
M8 - PTC123A25AC	P1233708R
M9 - PTC123A35AC	P1233709R
M10 - PTC123A50AC	P1233710R
M11 - PTC073A35AC	P1233721R
M12 - PTC153A35AC	P1233722R
M13 - PTC073A00AC	P1233733R
M14 - PTC073A15AC	P1233734R
M15 - PTC073A25AC	P1233735R
M16 - PTC153A00AC	P1233736R
M17 - PTC153A15AC	P1233737R
M18 - PTC153A25AC	P1233738R
M19 - PTC153A50AC	P1233739R
M20 - PTC153A00AC	P1233787R
M21 - PTC153A15AC	P1233788R
M22 - PTC153A25AC	P1233789R
M23 - PTC153A35AC	P1233790R
M24 - PTC153A50AC	P1233791R
M25 - PTC093A35AB	P1225104R
M26 - PTC123A35AB	P1225109R
M27 - PTC073A35AB	P1225121R
M28 - PTC153A35AB	P1225122R

# Chassis



# Chassis

**Ref. Part**  
**No: No: Description:**

**Ref. Part**  
**No: No: Description:**

Image 1:

41	11042507	BASEPAN-PNT (M3, M4, M5)
41	11042510	BASEPAN-PNT (M20, M21, M22, M23, M24)
41	11042510	BASEPAN-PNT (M25, M26, M27, M28)
51	11044702	PAD-EVAPORATOR
71	A3315701	GROMMET (QTY 4)
81	M0211216	SCREW-SM (QTY AR)
91	M0216716	SCREW-SM (QTY AR)
101	20007503	COND ASSY (M1, M2, M3, M4, M5, M6, M7, M8, M9, M10, M12, M16, M17, M18, M19, M20, M21, M22, M23, M24, M25, M26, M28)
101	20007702	COND ASSY (M11, M13, M14, M15, M27)
221	A3080003	PLUG-BUTTON
231	11045802	SCROLL-BLOWER
291	11167301	SHROUD-CONDENSER
301	11044201	BRACE-TIE
331	11046501	BAFFLE-TOP
351	11043902	BLW IN EX PNT PTAC03
601	11123904	DISCH-SCREEN-PNT
611	M0204517	SCREW-SM STL ZINC (QTY AR)
641	10839705	GASKET-URETHANE (QTY AR)
651	10839808	GASKET-CROSS LINK (QTY AR)
661	10839803	GASKET-CROSS LINK (M3, M4, M5)
811	10839712	GASKET .625 X .750 (QTY AR)
1041	10839722	GASKET .250 X .062
1061	10839706	GASKET .500 X .500 (QTY AR)
1061	10839716	GASKET-URETHANE (M3, M4, M5)
1071	M0120801	CLIP-GUIDE
1301	20189701	INSUL-COND RH
1311	20189801	INSUL-COND LH

## Expanded Model and Color Nomenclature

M1 - PTC093A00AC	P1233701R
M2 - PTC093A15AC	P1233702R
M3 - PTC093A25AC	P1233703R
M4 - PTC093A35AC	P1233704R
M5 - PTC093A50AC	P1233705R
M6 - PTC123A00AC	P1233706R
M7 - PTC123A15AC	P1233707R
M8 - PTC123A25AC	P1233708R
M9 - PTC123A35AC	P1233709R
M10 - PTC123A50AC	P1233710R
M11 - PTC073A35AC	P1233721R
M12 - PTC153A35AC	P1233722R
M13 - PTC073A00AC	P1233733R
M14 - PTC073A15AC	P1233734R
M15 - PTC073A25AC	P1233735R
M16 - PTC153A00AC	P1233736R
M17 - PTC153A15AC	P1233737R
M18 - PTC153A25AC	P1233738R
M19 - PTC153A50AC	P1233739R
M20 - PTC153A00AC	P1233787R
M21 - PTC153A15AC	P1233788R
M22 - PTC153A25AC	P1233789R
M23 - PTC153A35AC	P1233790R
M24 - PTC153A50AC	P1233791R
M25 - PTC093A35AB	P1225104R
M26 - PTC123A35AB	P1225109R
M27 - PTC073A35AB	P1225121R
M28 - PTC153A35AB	P1225122R



# Chassis/Compressor Tubing

Ref. Part No:	No:	Description:
<i>Image 1:</i>		
81	M0211216	SCREW-SM (QTY AR)
91	M0216716	SCREW-SM (QTY AR)
251	11167504	PANEL-MID PART
261	11114902	MOTOR-FAN (M5)
261	11114907	MOTOR-FAN (M1, M2, M3, M4, M5, M11, M13, M14, M15, M25, M27)
261	11114909	MOTOR-FAN (M6, M7, M8, M9, M10, M12, M16, M17, M18, M19, M20, M21, M22, M23, M24, M26, M28)
271	M0224956	SCREW-TAP R (QTY 3)
281	20046501	FAN-PL. COND.
311	11044101	WHEEL-BLOWER
321	20245401	BAFFLE-COND INLET
431	20075601	CLAMP-TUBE (M3, M4, M5)
441	M0227803	SCREW-TC (QTY 2)
491	D6789024	CAPACITOR (M20, M21, M22, M23, M24)
491	D6789049	CAPACITOR (M12, M16, M17, M18, M19, M28)
491	D6789054	CAPACITOR (M1, M2, M3, M4, M5, M11, M13, M14, M15, M25, M27)
491	D6879821	CAPACITOR (M3, M4, M5)
501	C6300502	STRAP-CAPACITOR CO (M1, M2, M3, M4, M5, M6, M7, M8, M9, M10, M11, M12, M13, M14, M15, M16, M17, M18, M19, M25, M26, M27, M28)
501	C6300503	STRAP-CAPACITOR CO (M20, M21, M22, M23, M24)
511	11046302	LEVER ARM
521	11115401	CABLE
531	11046201	FILTER-VENT
541	11046105	DOOR-VENT
551	11044902	SEAL-L SIDE
561	11044901	SEAL-R SIDE
571	11191702	BRKT-PART PAN (QTY 2)
631	10839807	GASKET-CROSS LINK (QTY AR)
641	10839705	GASKET-URETHANE (QTY AR)
731	11122901	INSUL-LEFT
741	11123001	INSUL-RIGHT
761	10839810	GASKET-CROSS LINK (QTY AR)
771	M0220757	SCREW-SHLDR
781	M0273701	WASHER-SPRING
801	M0270529	WASHER-FLAT
1011	M0108103	CLAMP-TUBE
1051	11167602	COVER-ACCESS
1081	A4554801	BUSHING-SNAP (M3, M4, M5)
1091	M0216529	SCREW-SM (QTY AR)
1241	10839814	GASKET-CROSS LINK (QTY AR)
1321	M0238833	SCREW-SHLDR (M1, M2, M3, M4, M5, M6, M7, M8, M9, M10, M11, M12, M13, M14, M15, M16, M17, M18, M19, M20, M21, M22, M23, M24)

Ref. Part No:	No:	Description:
Expanded Model and Color Nomenclature		

M1 - PTC093A00AC	P1233701R
M2 - PTC093A15AC	P1233702R
M3 - PTC093A25AC	P1233703R
M4 - PTC093A35AC	P1233704R
M5 - PTC093A50AC	P1233705R
M6 - PTC123A00AC	P1233706R
M7 - PTC123A15AC	P1233707R
M8 - PTC123A25AC	P1233708R
M9 - PTC123A35AC	P1233709R
M10 - PTC123A50AC	P1233710R
M11 - PTC073A35AC	P1233721R
M12 - PTC153A35AC	P1233722R
M13 - PTC073A00AC	P1233733R
M14 - PTC073A15AC	P1233734R
M15 - PTC073A25AC	P1233735R
M16 - PTC153A00AC	P1233736R
M17 - PTC153A15AC	P1233737R
M18 - PTC153A25AC	P1233738R
M19 - PTC153A50AC	P1233739R
M20 - PTC153A00AC	P1233787R
M21 - PTC153A15AC	P1233788R
M22 - PTC153A25AC	P1233789R
M23 - PTC153A35AC	P1233790R
M24 - PTC153A50AC	P1233791R
M25 - PTC093A35AB	P1225104R
M26 - PTC123A35AB	P1225109R
M27 - PTC073A35AB	P1225121R
M28 - PTC153A35AB	P1225122R

# Compressor & Tubing

Image 1

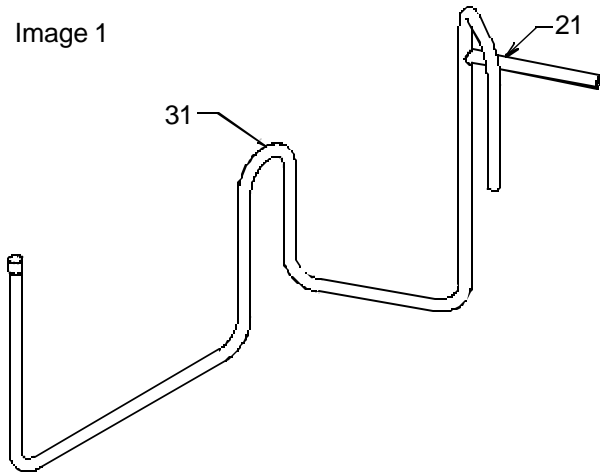


Image 2

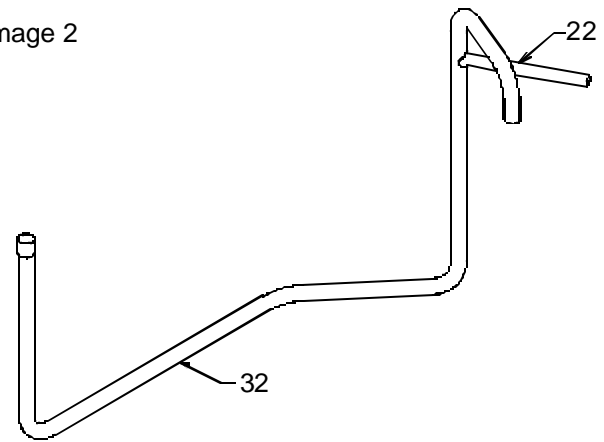
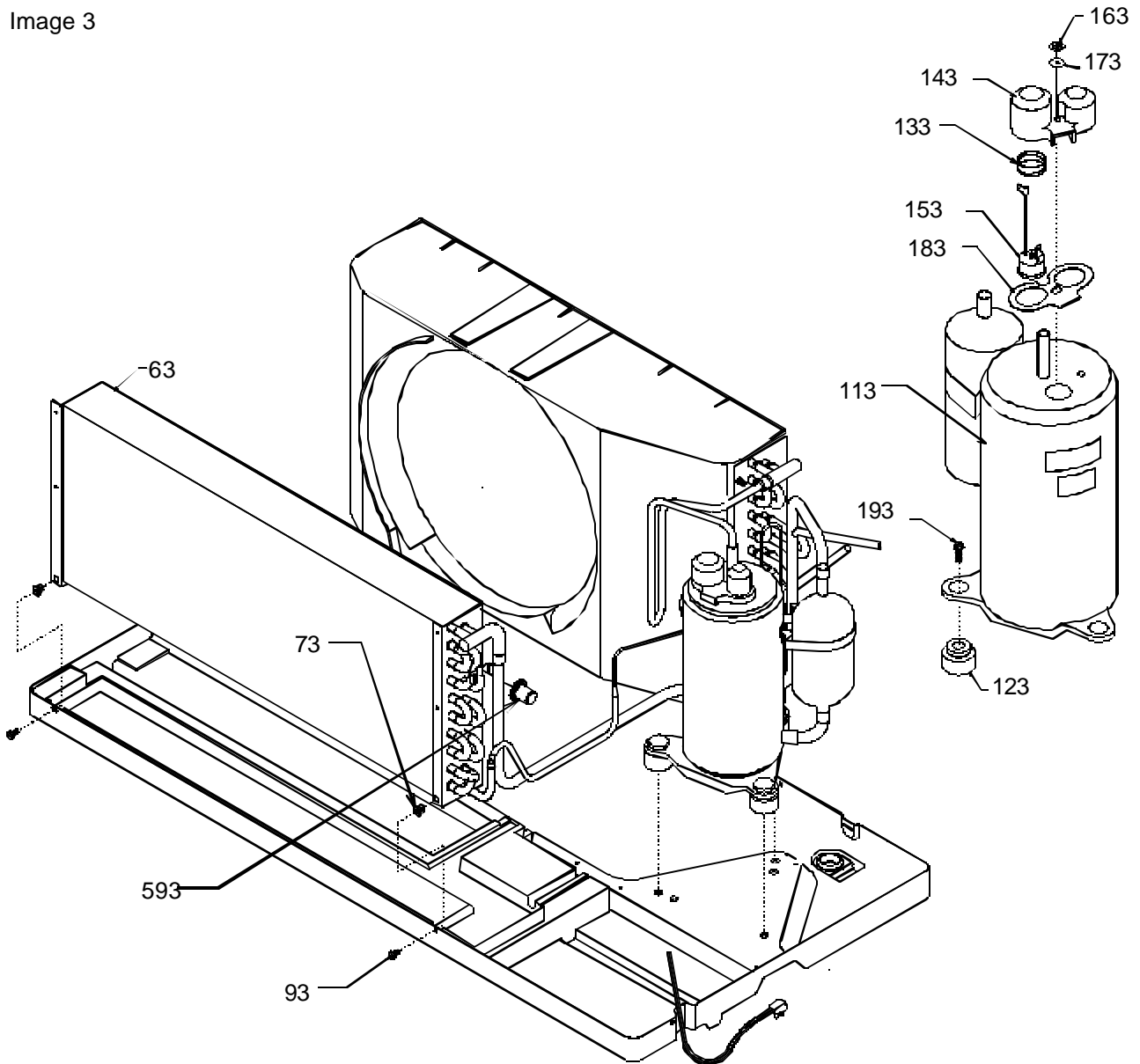


Image 3



# Compressor & Tubing

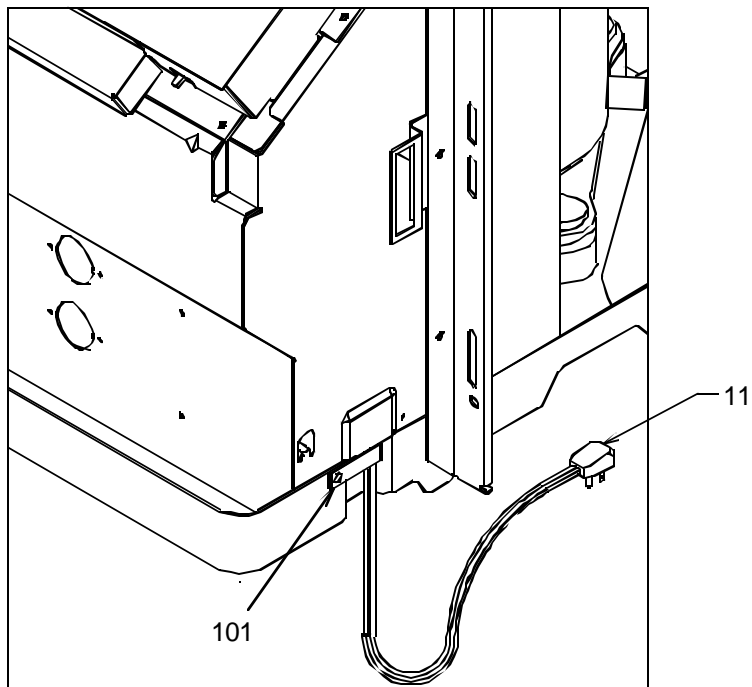
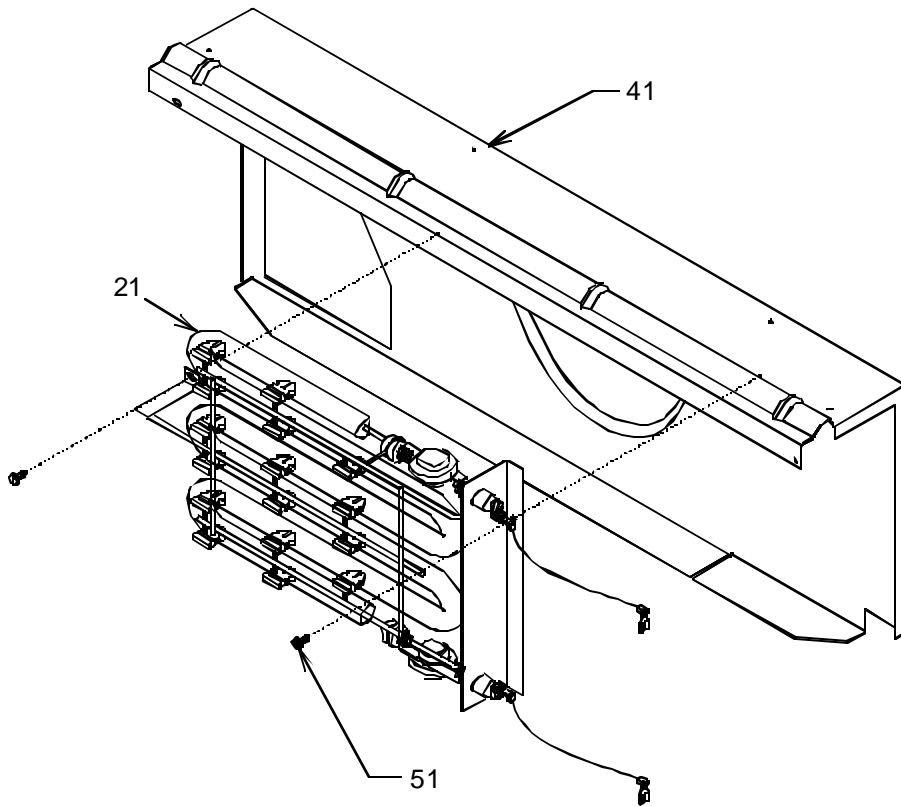
Ref. Part No:	Ref. Part No:	Description:
<i>Image 1:</i>		
21	A4528917	TUBE-PROCESS (M6, M7, M8, M9, M10, M12, M16, M17, M18, M19)
21	A4528920	TUBE-PROCESS (M3, M4, M5)
31	11144601	TUBE-SUCTION (M6, M7, M8, M9, M10, M12, M16, M17, M18, M19, M20, M21, M22, M23, M24, M26, M28)
<i>Image 2:</i>		
22	A4528918	TUBE-PROCESS (M1, M2, M3, M4, M5, M11, M13, M14, M15)
32	11194101	TUBE-SUCTION (M11, M13, M14, M15, M27)
32	11194301	TUBE-SUCTION (M1, M2, M3, M4, M5, M25)
<i>Image 3:</i>		
63	11165603	EVAP ASSY (M6, M7, M8, M9, M10, M12, M16, M17, M18, M19, M20, M21, M22, M23, M24, M26, M28)
63	11165703	EVAP ASSY (M1, M2, M3, M4, M5, M25)
63	11165803	EVAP ASSY (M11, M13, M14, M15)
63	11165803	EVAP ASSY (M27)
73	A3315701	GROMMET (QTY 4)
93	M0216716	SCREW-SM (QTY AR)
113	D6926120	COMP 2K21S236C-7A (M20, M21, M22, M23, M24)
113	D6926116	COMP-PN 2K21S3R236A (M12, M16, M17, M18, M19, M28)
113	D6985807	COMP-PN 2P17S3R236A (M6, M7, M8, M9, M10, M26)
113	D6887709	COMP-PN 2R10S3R236A (M11, M13, M14, M15, M27)
113	D6887711	COMP-PN 2R13S3R236A (M1, M2, M3, M4, M5, M25)
123	A3448601	GROMMET (M6, M7, M8, M9, M10, M12, M16, M17, M18, M19, M20, M21, M22, M23, M24, M26, M28)
123	A4622801	GROMMET (M1, M2, M3, M4, M5, M11, M13, M14, M15, M25, M27)
133	A3436901	SPRING-OVERLOAD
143	20120101	CAP-COMP TERM COVER (M1, M2, M3, M4, M5, M6, M7, M8, M9, M10, M11, M12, M13, M14, M15, M16, M17, M18, M19)
143	10329001	COVER-TERM (M3, M4, M5)
143	20120103	COVER-TERM (M20, M21, M22, M23, M24, M25, M26, M27, M28)
153	D4976682	OVERLOAD (M20, M21, M22, M23, M24)
153	D6961607	OVERLOAD (M12, M16, M17, M18, M19, M28)
153	D6961612	OVERLOAD (M6, M7, M8, M9, M10, M26)
153	D6961636	OVERLOAD (M11, M13, M14, M15, M27)
153	D6961639	OVERLOAD (M1, M2, M3, M4, M5, M25)
163	A3436601	NUT-TERM COVER
173	A3436801	GASKET-NUT
183	A3436701	GASKET-TERM COVER

Ref. Part No:	Ref. Part No:	Description:
193	M0253610	SCREW-SHLDR (M6, M7, M8, M9, M10, M12, M16, M17, M18, M19, M20, M21, M22, M23, M24, M26, M28)
193	M0253661	SCREW-SHLDR (M1, M2, M3, M4, M5, M11, M13, M14, M15, M25, M27)
593	11046703	DISC-THERMOSTAT (M3, M4, M5, M25, M27)
593	20295702	THERMISTOR (M20, M21, M22, M23, M24)

## Expanded Model and Color Nomenclature

M1 - PTC093A00AC	P1233701R
M2 - PTC093A15AC	P1233702R
M3 - PTC093A25AC	P1233703R
M4 - PTC093A35AC	P1233704R
M5 - PTC093A50AC	P1233705R
M6 - PTC123A00AC	P1233706R
M7 - PTC123A15AC	P1233707R
M8 - PTC123A25AC	P1233708R
M9 - PTC123A35AC	P1233709R
M10 - PTC123A50AC	P1233710R
M11 - PTC073A35AC	P1233721R
M12 - PTC153A35AC	P1233722R
M13 - PTC073A00AC	P1233733R
M14 - PTC073A15AC	P1233734R
M15 - PTC073A25AC	P1233735R
M16 - PTC153A00AC	P1233736R
M17 - PTC153A15AC	P1233737R
M18 - PTC153A25AC	P1233738R
M19 - PTC153A50AC	P1233739R
M20 - PTC153A00AC	P1233787R
M21 - PTC153A15AC	P1233788R
M22 - PTC153A25AC	P1233789R
M23 - PTC153A35AC	P1233790R
M24 - PTC153A50AC	P1233791R
M25 - PTC093A35AB	P1225104R
M26 - PTC123A35AB	P1225109R
M27 - PTC073A35AB	P1225121R
M28 - PTC153A35AB	P1225122R

# Heater



# Heater

Ref. Part No:	Part No:	Description:	Ref. Part No:	Part No:	Description:
<i>Image 1:</i>					
11	11114401	CORD-250V 15A (M1, M2, M3, M6, M7, M8, M13, M14, M15, M16, M17, M18, M20, M21, M22)			
11	11114501	CORD-250V 20A (M4, M9, M11, M12, M23, M25, M26, M27, M28)			
11	11114601	CORD-250V 30A (M5, M10, M19, M24)			
21	11116201	HTR 3 1.5KW ASSY (M2, M7, M14, M17, M21)			
21	20252002	HTR 3 2.5KW ASSY (M3, M8, M15, M18, M22)			
21	20252003	HTR 3 3.5KW ASSY (M4, M9, M11, M12, M23, M25, M26, M27, M28)			
21	11177801	HTR 3 5.0 KW ASSY (M5)			
21	20252005	HTR 3 5.0KW ASSY (M10, M19, M24)			
41	11044304	BLWR INTK-PNT			
51	M0216716	SCREW-SM (QTY AR)			
101	M0103905	CLAMP-SPEED (M1, M2, M3, M4, M5, M6, M7, M8, M13, M14, M15, M16, M17, M18, M20, M21, M22)			
101	M0103906	CLAMP-SPEED (M4, M5, M9, M10, M11, M12, M19, M23, M24, M25, M26, M27, M28)			

## Expanded Model and Color Nomenclature

M1 - PTC093A00AC	P1233701R
M2 - PTC093A15AC	P1233702R
M3 - PTC093A25AC	P1233703R
M4 - PTC093A35AC	P1233704R
M5 - PTC093A50AC	P1233705R
M6 - PTC123A00AC	P1233706R
M7 - PTC123A15AC	P1233707R
M8 - PTC123A25AC	P1233708R
M9 - PTC123A35AC	P1233709R
M10 - PTC123A50AC	P1233710R
M11 - PTC073A35AC	P1233721R
M12 - PTC153A35AC	P1233722R
M13 - PTC073A00AC	P1233733R
M14 - PTC073A15AC	P1233734R
M15 - PTC073A25AC	P1233735R
M16 - PTC153A00AC	P1233736R
M17 - PTC153A15AC	P1233737R
M18 - PTC153A25AC	P1233738R
M19 - PTC153A50AC	P1233739R
M20 - PTC153A00AC	P1233787R
M21 - PTC153A15AC	P1233788R
M22 - PTC153A25AC	P1233789R
M23 - PTC153A35AC	P1233790R
M24 - PTC153A50AC	P1233791R
M25 - PTC093A35AB	P1225104R
M26 - PTC123A35AB	P1225109R
M27 - PTC073A35AB	P1225121R
M28 - PTC153A35AB	P1225122R

# Control Panel

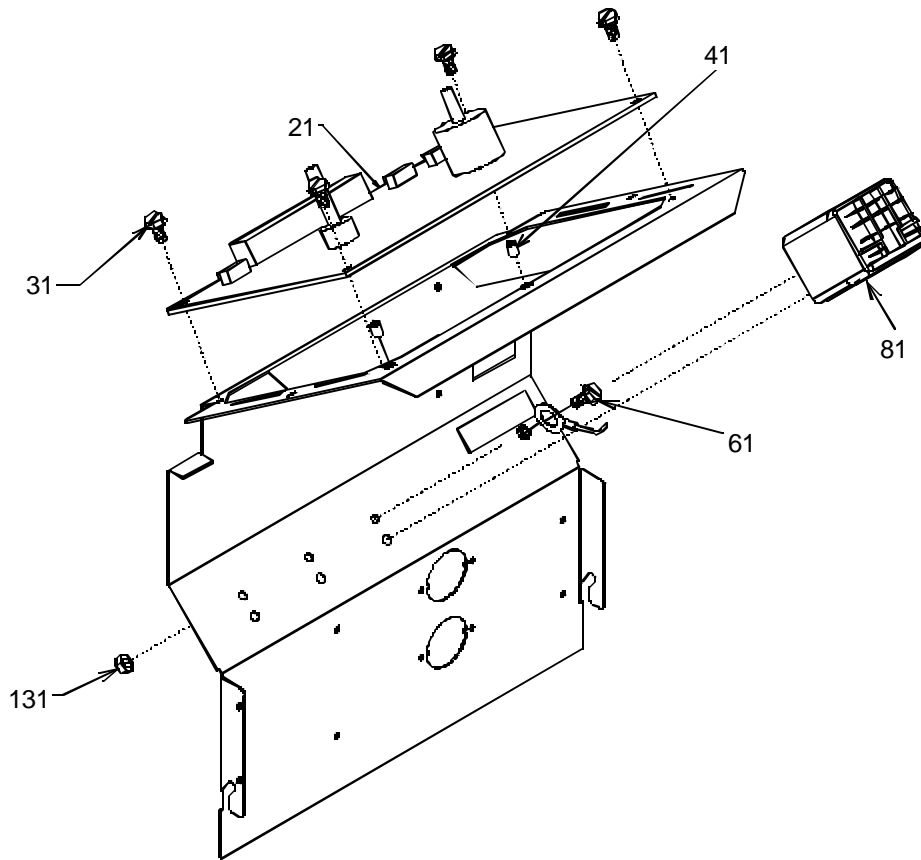
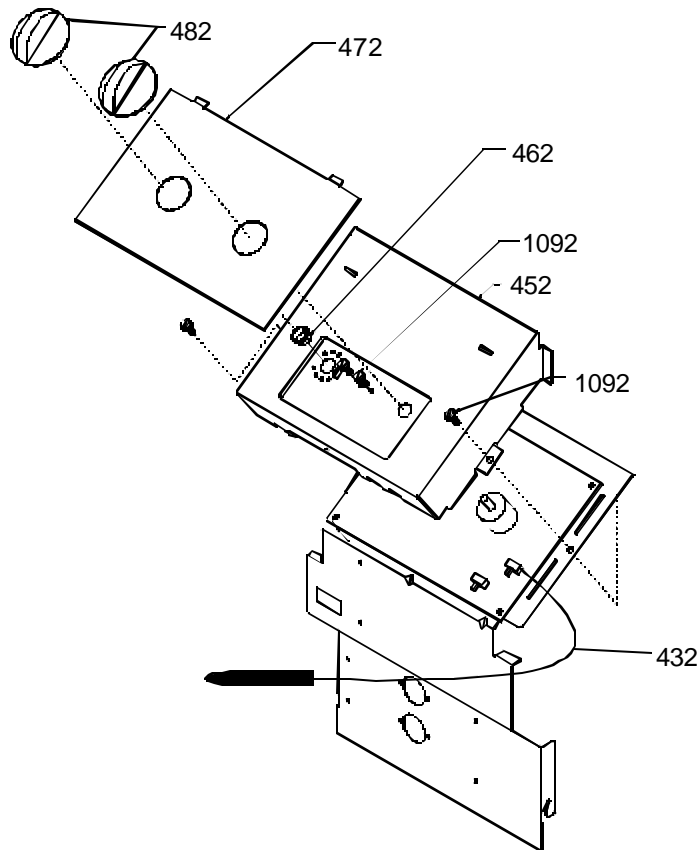


Image 1

Image 2



# Control Panel

## Ref. Part

No: No: Description:

Image 1:

21	RF000001	PC BOARD (M25, M26, M27, M28)
21	RF000005	PC BOARD (M1, M2, M3, M4, M5, M6, M7, M8, M9, M10, M11, M12, M13, M14, M15, M16, M17, M18, M19)
31	M0216529	SCREW-SM (QTY AR)
41	M0590702	SUPPORT (QTY 2)
61	M0227803	SCREW-TC
81	C8873917	RELAY (M5)
131	M0282005	NUT-KEPS (M5)
NS	M0804204	FUSE-GLASS (M3, M4, M5)

Image 2:

432	20295701	THERMISTOR (M20, M21, M22, M23, M24)
452	11044403	COVER-CONT PANEL (M1, M2, M6, M7, M8, M9, M10, M11, M12, M13, M14, M15, M16, M17, M18, M19, M20, M21, M22, M23, M24)
452	11044401	COVER-CONTROL PANEL (M3, M4, M5, M25, M26, M27, M28)
462	M0117902	CLIP-TUBULAR
472	20005701	PLATE-ESC
482	11042902	KNOB-CONTROL (QTY 2)
1092	M0216529	SCREW-SM (QTY AR)
NS	11045601	COVER-TERM BLOCK (M3, M4, M5, M25, M26, M27, M28)

## Ref. Part

No: No: Description:

### Expanded Model and Color Nomenclature

M1 - PTC093A00AC	P1233701R
M2 - PTC093A15AC	P1233702R
M3 - PTC093A25AC	P1233703R
M4 - PTC093A35AC	P1233704R
M5 - PTC093A50AC	P1233705R
M6 - PTC123A00AC	P1233706R
M7 - PTC123A15AC	P1233707R
M8 - PTC123A25AC	P1233708R
M9 - PTC123A35AC	P1233709R
M10 - PTC123A50AC	P1233710R
M11 - PTC073A35AC	P1233721R
M12 - PTC153A35AC	P1233722R
M13 - PTC073A00AC	P1233733R
M14 - PTC073A15AC	P1233734R
M15 - PTC073A25AC	P1233735R
M16 - PTC153A00AC	P1233736R
M17 - PTC153A15AC	P1233737R
M18 - PTC153A25AC	P1233738R
M19 - PTC153A50AC	P1233739R
M20 - PTC153A00AC	P1233787R
M21 - PTC153A15AC	P1233788R
M22 - PTC153A25AC	P1233789R
M23 - PTC153A35AC	P1233790R
M24 - PTC153A50AC	P1233791R
M25 - PTC093A35AB	P1225104R
M26 - PTC123A35AB	P1225109R
M27 - PTC073A35AB	P1225121R
M28 - PTC153A35AB	P1225122R



# Filter Dryer

**Ref. Part**

**No: No:**

**Description:**

**Ref. Part**

**No: No:**

**Description:**

*Image 1:*

751	20284901	FILTER-DRYER (M11, M13, M14, M15)
751	20284902	FILTER-DRYER (M1, M2, M3, M4, M5)
751	20284904	FILTER-DRYER (M6, M7, M8, M9, M10)
751	20284906	FILTER-DRYER (M12, M16, M17, M18, M19)

**Expanded Model and Color Nomenclature**

M1 - PTC093A00AC	P1233701R
M2 - PTC093A15AC	P1233702R
M3 - PTC093A25AC	P1233703R
M4 - PTC093A35AC	P1233704R
M5 - PTC093A50AC	P1233705R
M6 - PTC123A00AC	P1233706R
M7 - PTC123A15AC	P1233707R
M8 - PTC123A25AC	P1233708R
M9 - PTC123A35AC	P1233709R
M10 - PTC123A50AC	P1233710R
M11 - PTC073A35AC	P1233721R
M12 - PTC153A35AC	P1233722R
M13 - PTC073A00AC	P1233733R
M14 - PTC073A15AC	P1233734R
M15 - PTC073A25AC	P1233735R
M16 - PTC153A00AC	P1233736R
M17 - PTC153A15AC	P1233737R
M18 - PTC153A25AC	P1233738R
M19 - PTC153A50AC	P1233739R
M20 - PTC153A00AC	P1233787R
M21 - PTC153A15AC	P1233788R
M22 - PTC153A25AC	P1233789R
M23 - PTC153A35AC	P1233790R
M24 - PTC153A50AC	P1233791R
M25 - PTC093A35AB	P1225104R
M26 - PTC123A35AB	P1225109R
M27 - PTC073A35AB	P1225121R
M28 - PTC153A35AB	P1225122R