

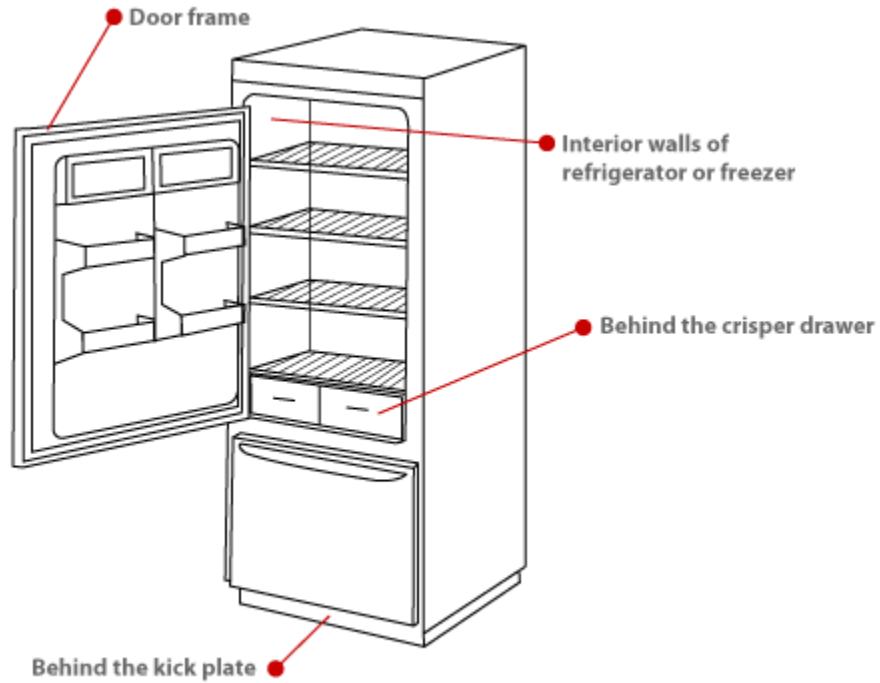
KENMORE SEARS APPLIANCE MODEL NUMBER LOCATOR



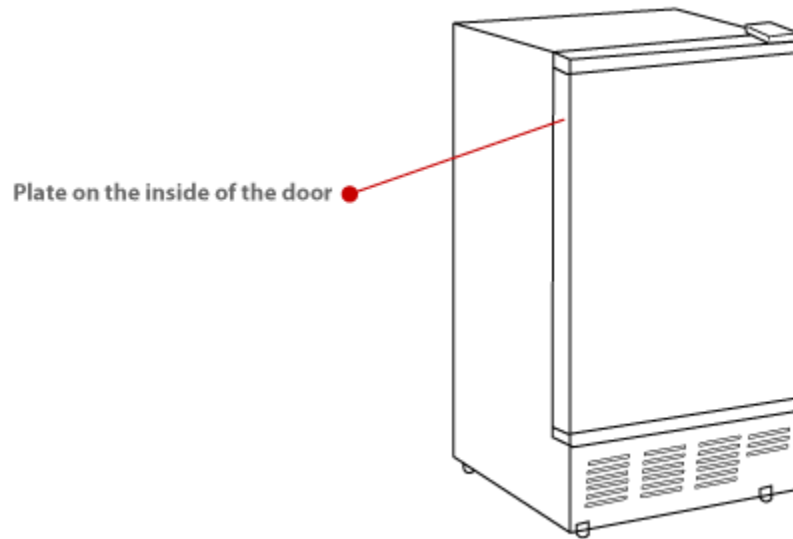
PARTS, VIDEOS, HELP
Appliances | Lawn Mowers | Vacuum Cleaners | Small Engines



Bottom freezer



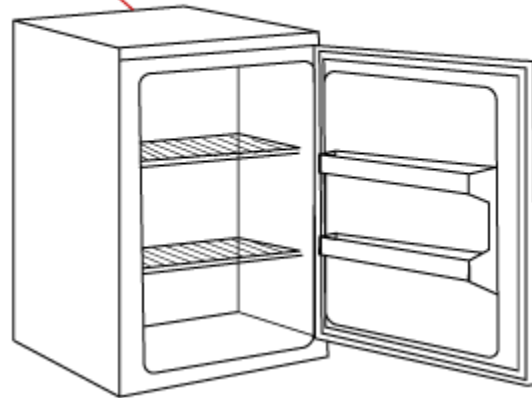
Beer & wine coolers



Compact

Home

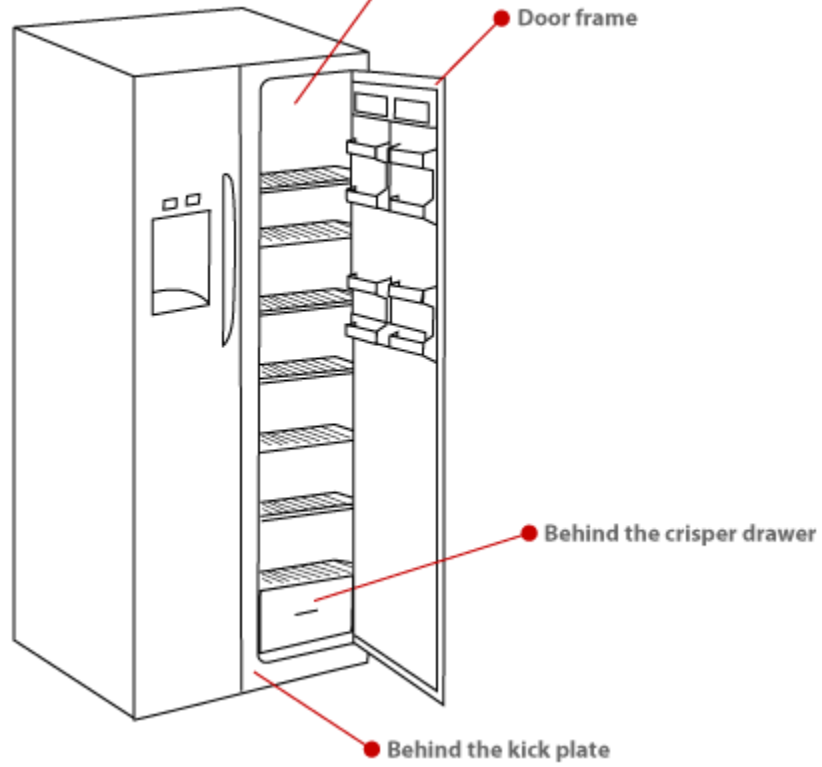
Near or on the back of compressor



Side by Side

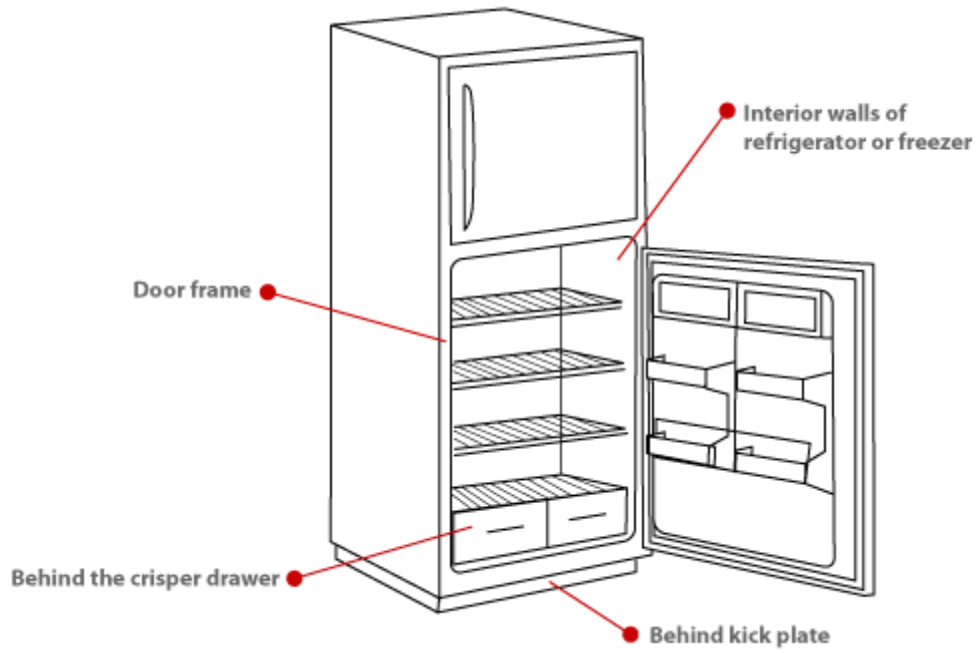
Interior walls of the refrigerator or freezer

Door frame

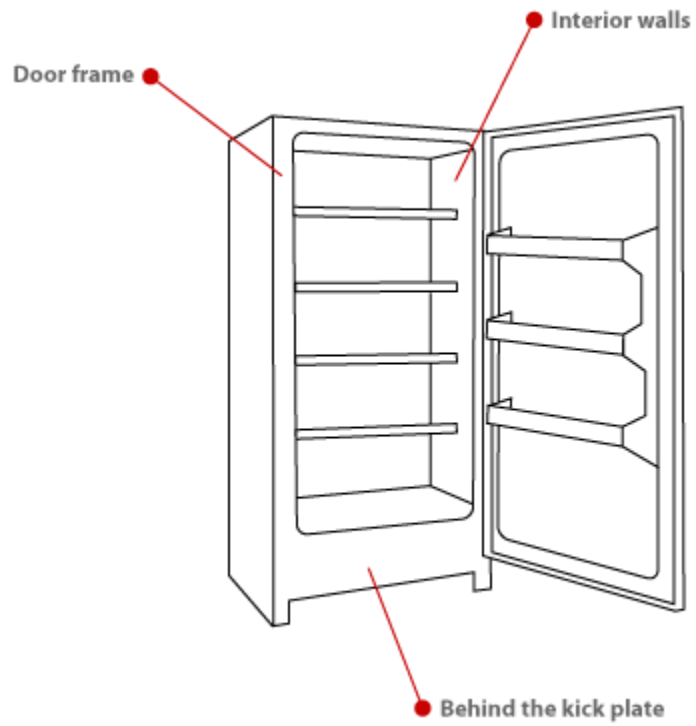


Top Freezer

Home

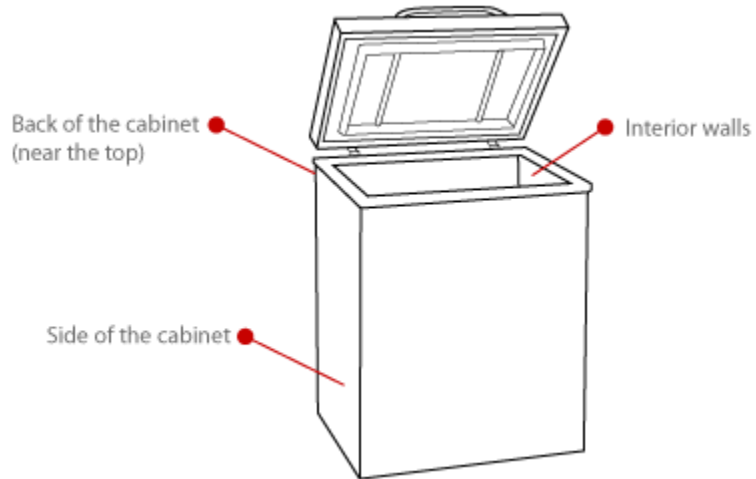


Upright

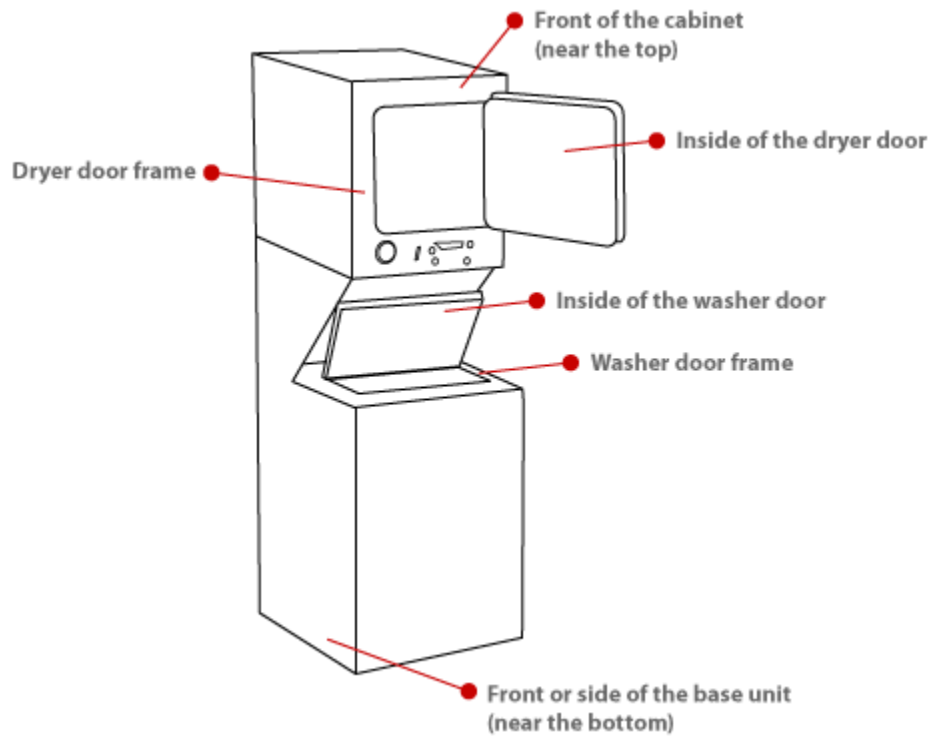


Chest

Home

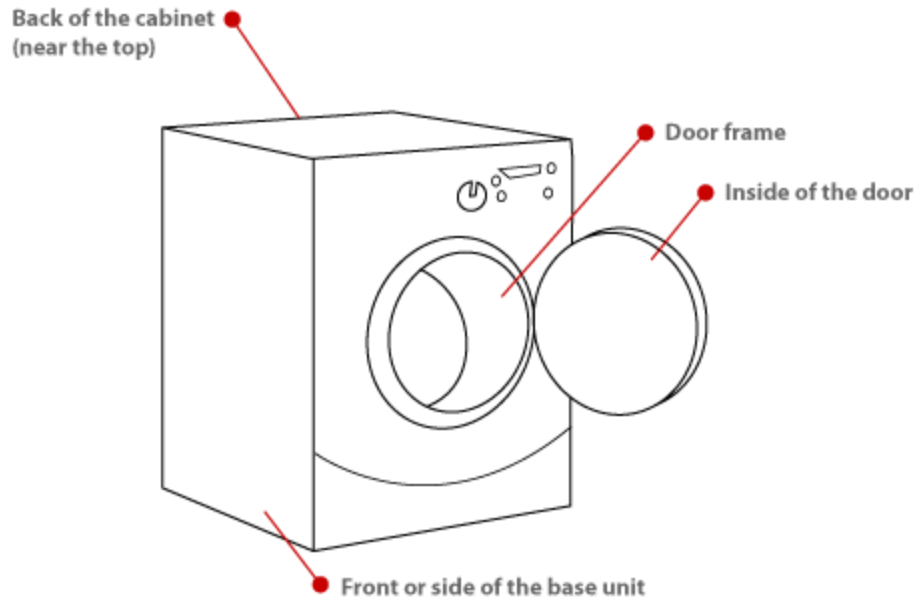


Washer-Dryer combo

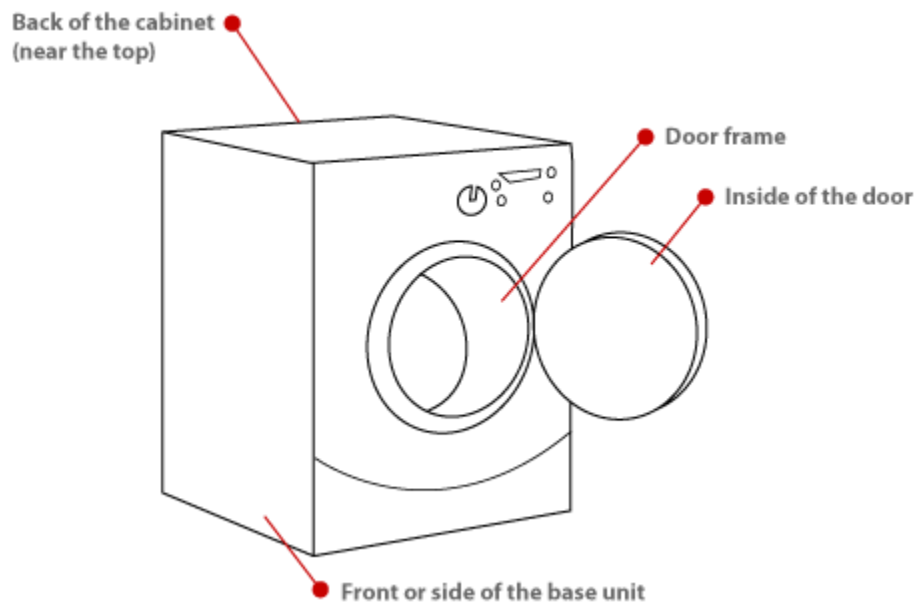


Front Load

Home

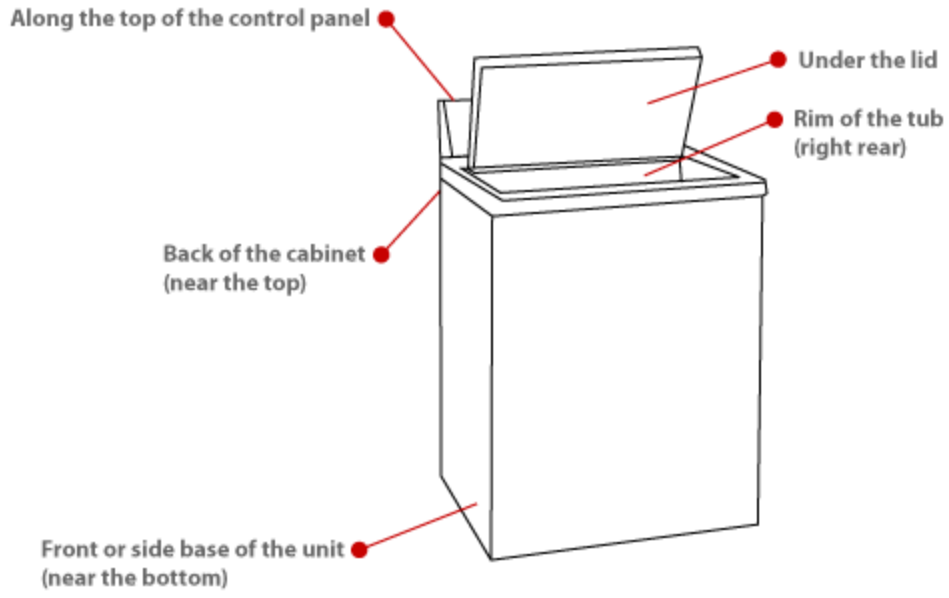


Front load

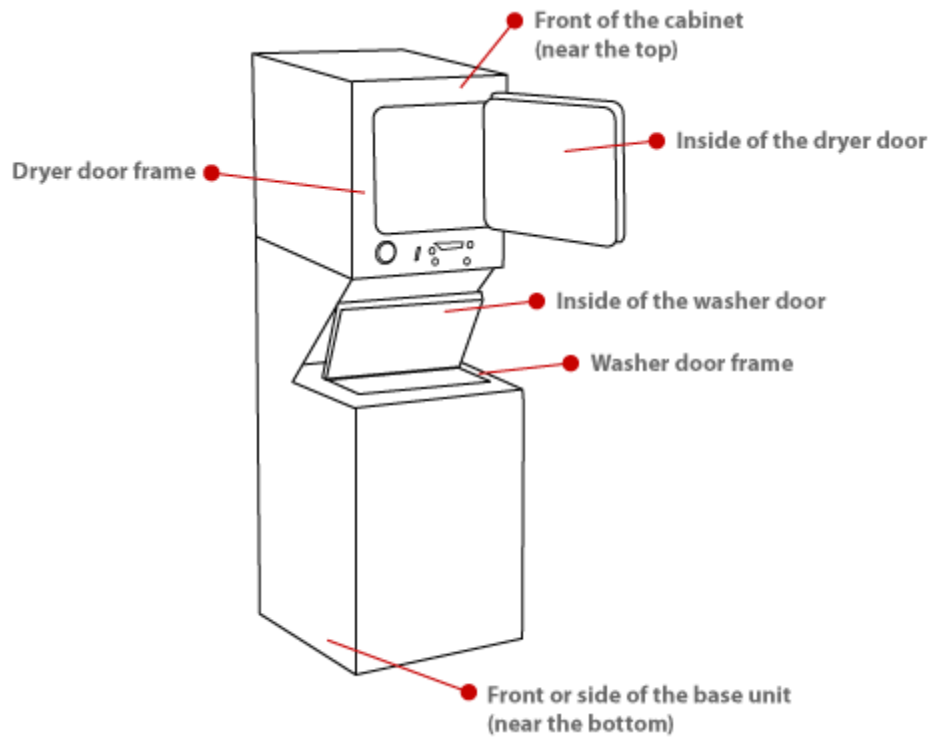


Top load

Home

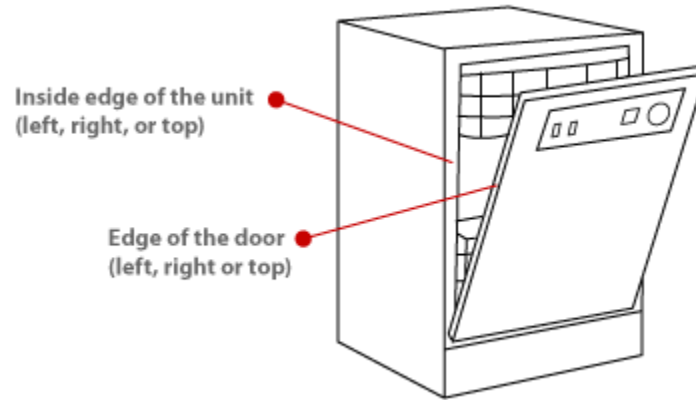


Washer-dryer combo

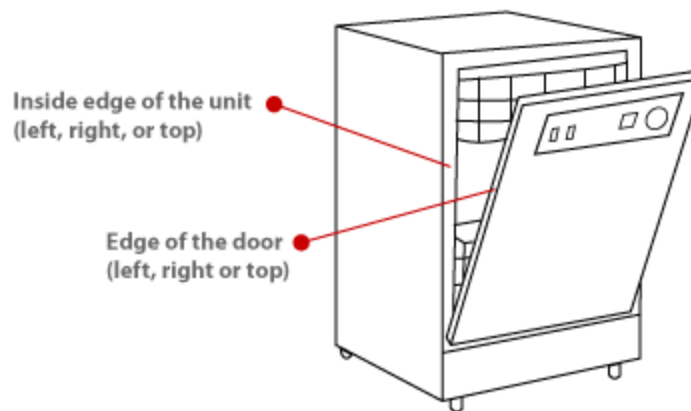


Built in

Home



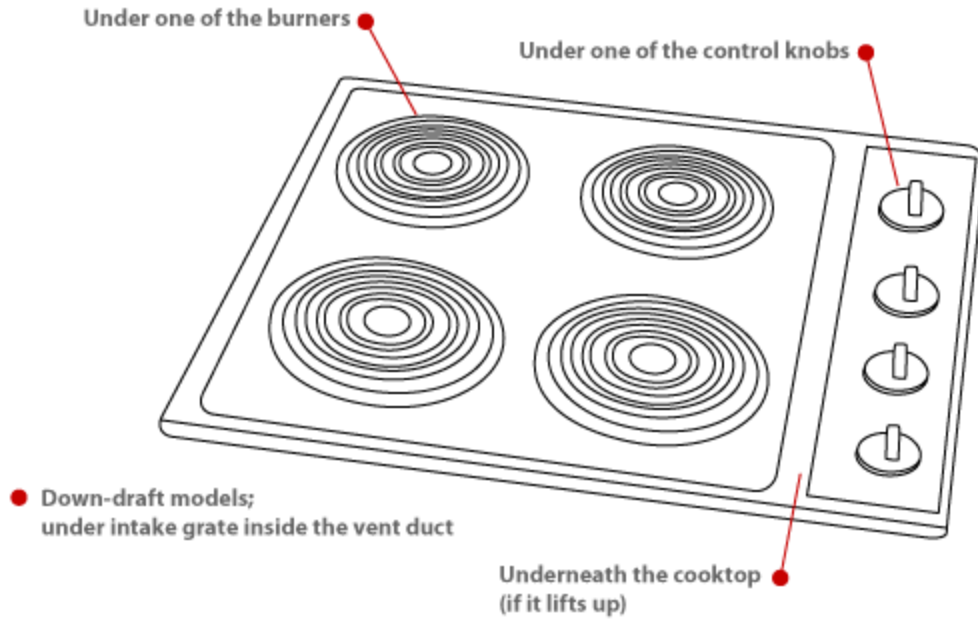
Portable



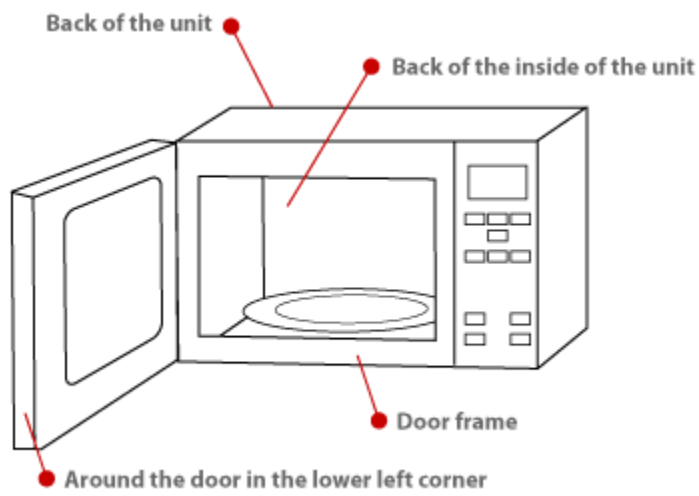
© Copyright 2000 - 2011 [Point and Click Appliance Repair, Inc.](#) All rights reserved

Electric Cooktop

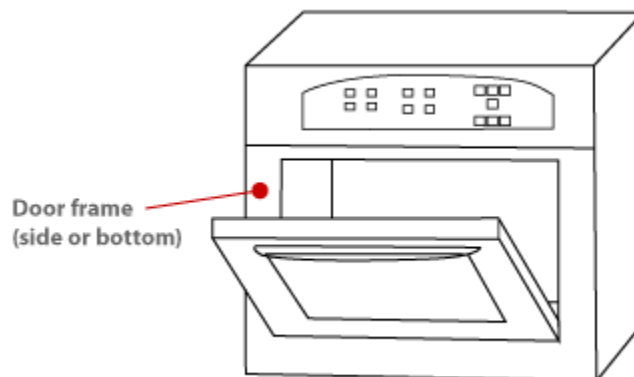
Home



Freestanding

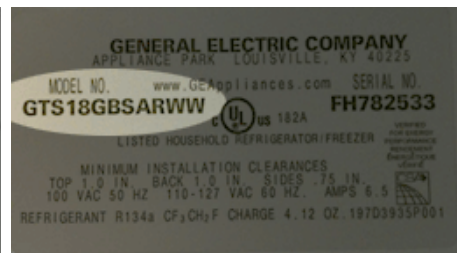
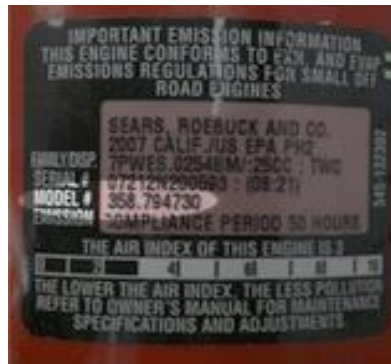
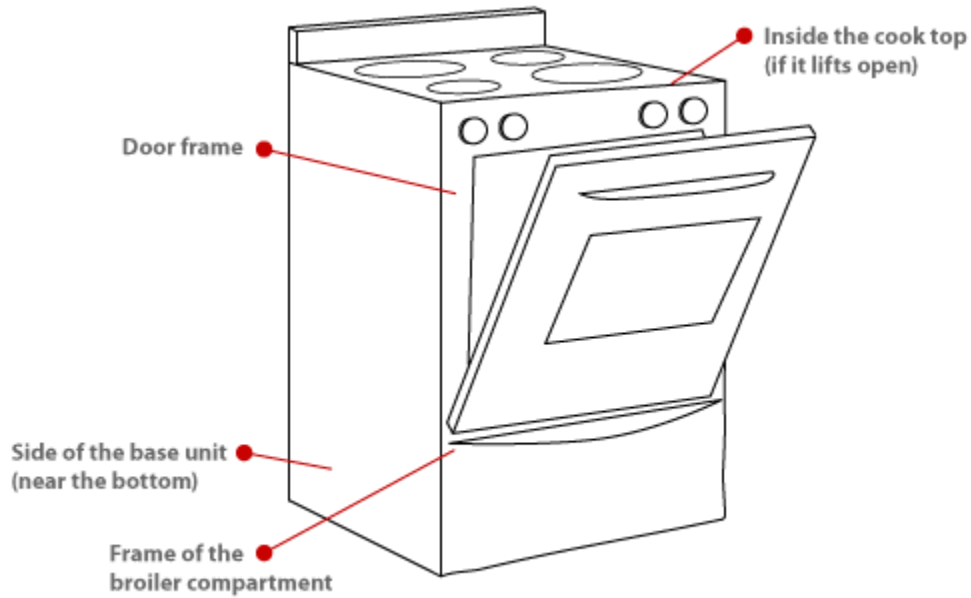


Wall Oven



Home

Electric Range





At this time Point and Click Appliance Repair does not have Kenmore numbers listed in their search feature and some are difficult to find anywhere because the numbers are their translation of other Brand Name products. Need help? Contact me here=> [**SEA BREEZE**](#)



© Copyright 2000 - 2011 [Point and Click Appliance Repair, Inc.](#) All rights reserved

Need a Whirlpool Service Technician?

[**CLICK HERE=> SEA BREEZE**](#)